

HD/SD-SDI AFD Code Inserter

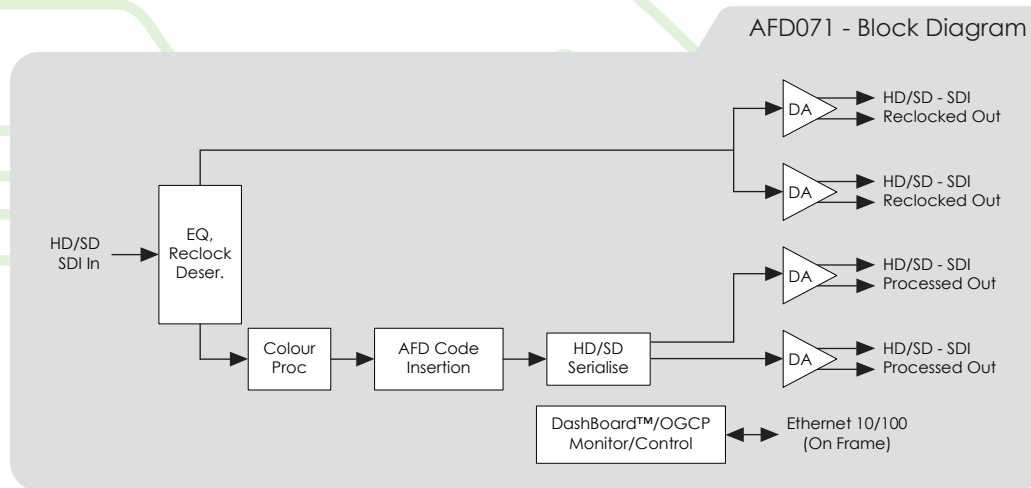
The AFD071 provides cost-effective HD/SD-SDI AFD code insertion. AFD codes can be applied, even if there is no code detected on the input. The output line for the AFD code can also be selected. For video

input already having a code, the AFD code can be changed as desired. All video, audio, closed captioning and timecode data is passed through the card.

Features

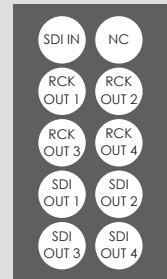
- HD/SD digital inputs
- AFD code insertion
- 16 user presets
- Remote control/monitoring via DashBoard™ software
- Five year warranty

AFD071 - Block Diagram



Features and specifications subject to change without notice

RM-AFD071-A Rear Module



Specifications

Electrical

Power: 8 watts
HD/SD-SDI Input
 Number of Inputs: 1
 Standard: SMPTE 292 and 259M
 Return Loss: >15 dB at 5 MHz - 1.485 GHz

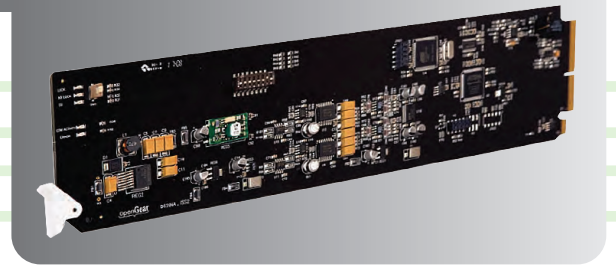
Processing Delay

Total Delay: < 3.2 μs

HD/SD-SDI Output

Number of outputs: 4 Reclocked, 4 Processed

Standard: SMPTE 292 and 259M
 Signal Level: 800 mV nominal
 Return Loss: >15 dB at 5 MHz - 270 MHz, >12 dB at 270MHz - 1.485 GHz
 Jitter: HD: < 0.15 UI, SD: < 0.10 UI, Embedded
 Audio: 16-Ch SD/HD (Passthrough)



Ordering Information

AFD071 HD/SD-SDI AFD Code Inserter
RM-AFD071-A Rear I/O Module (Single Slot)
 HD/SD-SDI Input, 4 SDI Reclocked Outputs, 4 SDI Processed Outputs



MICHAEL STEVENS & PARTNERS LTD

INVICTA WORKS ELLIOTT ROAD, BROMLEY, KENT, BR2 9NT UK

TEL: +44 (0)20 8460 7299 Fax: +44 (0)20 8460 0499

E-MAIL: SALES@MICHAEL-STEVENS.COM WEB: WWW.CHROMATEC.COM WEB: WWW.MICHAEL-STEVENS.COM