

## Includes: DA001, DA002, DA003, DA004, DA005, DA006 3G/HD/SD Distribution Amplifiers

### DA001 3G/HD/SD Reclocking Distribution Amplifier

The DA001 is a multi-rate SDI distribution amplifier capable of equalising and reclocking 3Gig, SD, and HD signals. It will reclock input signals with excellent output jitter and return loss specifications.

### DA002 3G/HD/SD Distribution Amplifier (Non-Reclocking)

The DA002 is a two channel, multi-rate SDI distribution amplifier capable of equalising and reclocking 3Gig, SD, and HD signals. Using Dashboard remote control software or switches on the board, the DA002 can be set up as either a single channel 1:8, dual channel 1:4, or 1:8 with

failsafe. In failsafe mode, the board switches to the secondary input automatically when the primary input is lost. The DA002 will reclock input signals with excellent output jitter and return loss specifications.

### DA004 Dual 3G/HD/SD Distribution Amplifier (Non-Reclocking)

### DA005 Triple 3G/HD/SD Reclocking Distribution Amplifier

The DA005 is a three channel multi-rate SDI distribution amplifier capable of equalising and reclocking 3Gig, SD, and HD signals. It will reclock input signals with excellent output jitter and return loss specifications.

### DA006 Triple 3G/HD/SD Distribution Amplifier (Non-Reclocking)

## Features

- Equalise up to 120m of Belden 1694A cable at 1.485Gbit
- Automatic rate detection for all popular data rates
- Remote control/monitoring via Dashboard software or remote control panel
- Five year warranty

## Specifications

### Input

3Gbps – SMPTE424M  
1.485Gbps – SMPTE 292  
143-360 Mbps – SMPTE 259M

### Output

Return loss >15dB

### Power

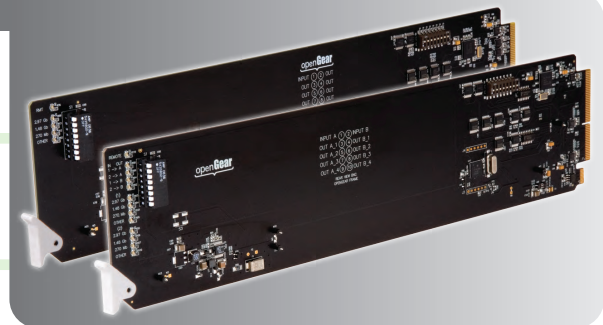
3 watts

### Cable lengths

w/ Belden 1694A  
3Gbps – 80m  
1.485Gbps – 120m  
143-360 Mbps – 300m

### Size

12.9" x 3" (330mm x 76mm)  
For use in openGear™ frames



MICHAEL STEVENS & PARTNERS LTD

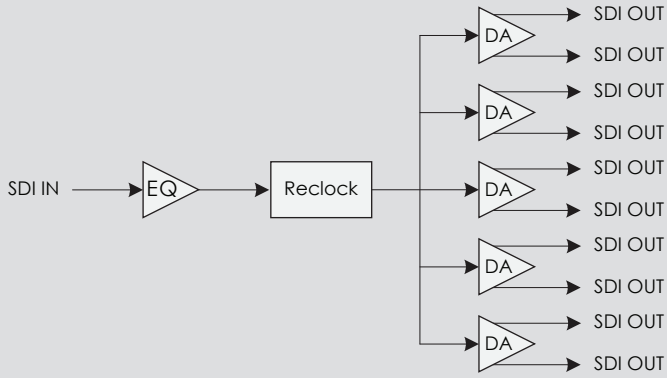
INVICTA WORKS ELLIOTT ROAD, BROMLEY, KENT, BR2 9NT UK

TEL: +44 (0)20 8460 7299 Fax: +44 (0)20 8460 0499

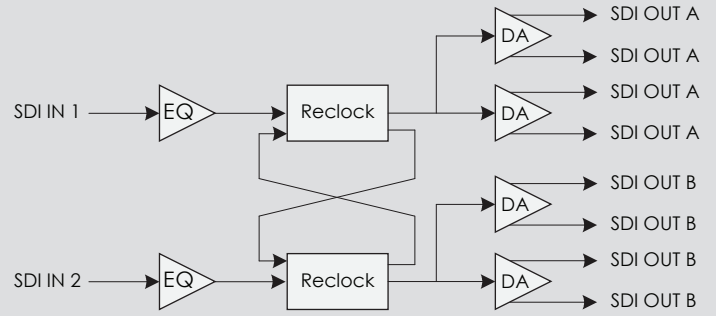
E-MAIL: SALES@MICHAEL-STEVENS.COM WEB: WWW.CHROMATEC.COM WEB: WWW.MICHAEL-STEVENS.COM



DA001 Block Diagram



DA003 Block Diagram



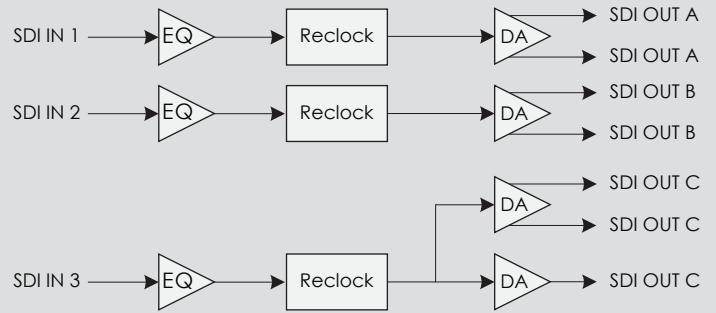
Features and specifications subject to change without notice

## Product Selection Guide

DA001 DA002 DA003 DA004 DA005 DA006

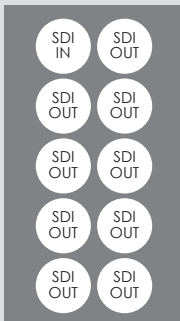
3G/HD/SD-SDI Inputs	1	1	2	2	3	3
3G/HD/SD-SDI Processed Outputs	9	9	8	8	7	7
Routing			•	•		
Output Reclocking	•		•		•	
3G-SDI Support	•	•	•	•	•	•
HD-SDI Support	•	•	•	•	•	•
SD-SDI Support	•	•	•	•	•	•
Remote Control	•	•	•	•	•	•
Status Monitoring	•	•	•	•	•	•

DA005 Block Diagram

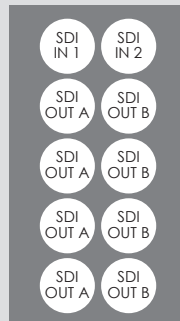


## Rear Modules Available

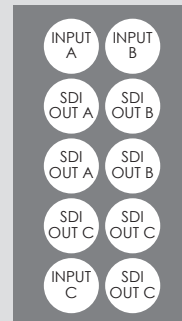
RM-DA001-A Rear Con.



RM-DA003-A Rear Con.



RM-DA005-A Rear Con.



MICHAEL STEVENS & PARTNERS LTD

INVICTA WORKS ELLIOTT ROAD, BROMLEY, KENT, BR2 9NT UK

TEL: +44 (0)20 8460 7299 Fax: +44 (0)20 8460 0499

E-MAIL: SALES@MICHAEL-STEVENS.COM WEB: WWW.CHROMATEC.COM WEB: WWW.MICHAEL-STEVENS.COM