

Advanced Analogue Video Distribution Amplifier

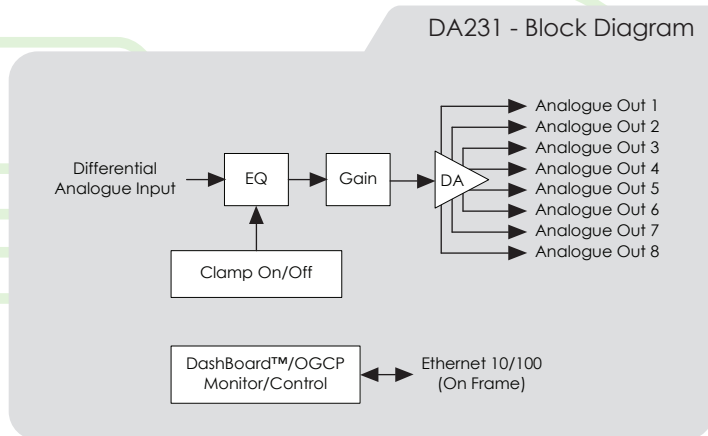
The DA231 is an analogue video distribution amplifier with a differential input designed for broadcast use. The card provides 1x8 distribution with one differential

analogue input and eight 75-ohm BNC analogue outputs. The DA231 can be accessed through DashBoard™ for status monitoring.

Features

- Differential composite analogue input with 75 Ω or Hi-Z looping input selection
- User adjustable gain
- Variable cable EQ up to 984 ft (300 m)
- User-selectable input clamping
- Remote monitoring via DashBoard™ software or OGCP-9000 control panel
- Five year warranty

DA231 - Block Diagram



Features and specifications subject to change without notice

Ordering Information

DA231 1 X 8 Analogue Video Distribution Amplifier with Differential Input, Clamping and Cable EQ

RM-DA231-A Rear I/O Module (Single Slot) 1 Video Input BNC, 8 Video Output BNCs

Specifications

Electrical

Power: 2 watts

Analogue Video Input

Number of inputs: 1

Impedance: 75 Ω

Level: 1 Vp-p, nominal

Return Loss: 46 dB at 3.58 MHz

Performance

Freq. Response: >0.05 dB at 3.58 MHz

Differential Gain: >0.15% at 3.58 MHz

Differential Phase: >0.15° at 3.58 MHz

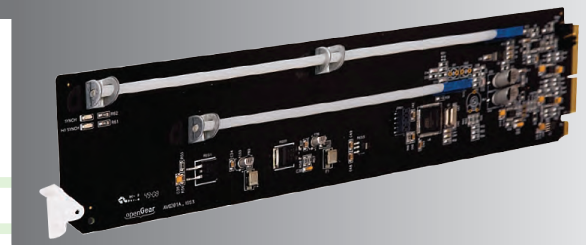
S\N: >60 dB, 5 MHz BW

Analogue Video Output

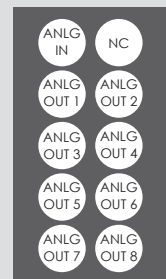
Number of outputs: 8

Impedance: 75 Ω

Level: 1 Vp-p, nominal



RM-DA231-A Rear I/O Module



MICHAEL STEVENS & PARTNERS LTD

INVICTA WORKS ELLIOTT ROAD, BROMLEY, KENT, BR2 9NT UK

TEL: +44 (0)20 8460 7299 Fax: +44 (0)20 8460 0499

E-MAIL: SALES@MICHAEL-STEVENSON.COM WEB: WWW.CHROMATEC.COM WEB: WWW.MICHAEL-STEVENSON.COM