

Utility Analogue Video Distribution Amplifier

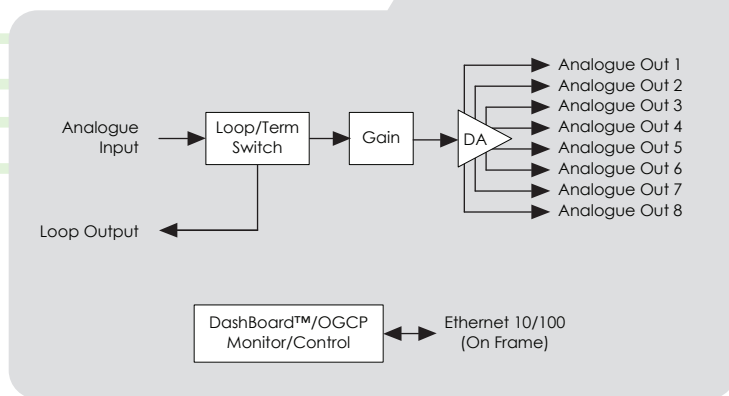
The DA232 is an analogue general-purpose distribution amplifier that is useful in digital systems when there is a requirement for the distribution of basic analogue signals, such as a color black reference. It is also highly suited for the distribution of analogue SD-video, Tri-level sync or AES audio, as well as for situations

where cable equalization and differential input are not needed (and clamping is not required). Gain is adjustable over a range of ± 3 dB. The DA232 is DC-coupled and will faithfully provide all aspects of a video input signal to eight identical output copies with very low distortion.

Features

- Cost effective solution for general-purpose analogue SD video distribution
- User adjustable gain
- Remote monitoring via DashBoard™ software or OGCP-9000 control panel
- Five year warranty

DA232 - Block Diagram



Features and specifications subject to change without notice

Ordering Information

DA232 1 X 8 Analogue Video Distribution Amplifier, Looping Option

RM-9232-B Rear I/O Module (Single Slot) 1 Video Input BNC, 1 Looped Video Output BNC, 8 Buffered Video Output BNCs

Specifications

Electrical

Power: 2 watts

Analogue Video Input

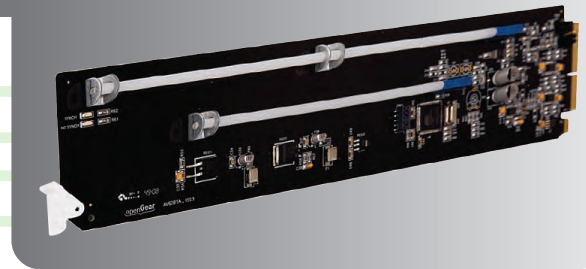
Number of inputs: 1 Looping
Impedance: 75 Ω
Level: 1 Vp-p, nominal
Return Loss: 46 dB at 3.58 MHz

Performance

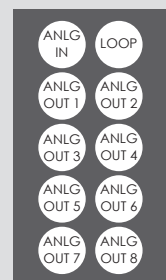
Freq. Response: >0.05 dB at 3.58 MHz
Differential Gain: >0.15% at 3.58 MHz
Differential Phase: >0.15° at 3.58 MHz
S\N: >60 dB, 5 MHz BW

Analogue Video Output

Number of outputs: 8
Impedance: 75 Ω
Level: 1 Vp-p, nominal



RM-DA232-B Rear I/O Module



MICHAEL STEVENS & PARTNERS LTD

INVICTA WORKS ELLIOTT ROAD, BROMLEY, KENT, BR2 9NT UK

TEL: +44 (0)20 8460 7299 Fax: +44 (0)20 8460 0499

E-MAIL: SALES@MICHAEL-STEVENSON.COM WEB: WWW.CHROMATEC.COM WEB: WWW.MICHAEL-STEVENSON.COM