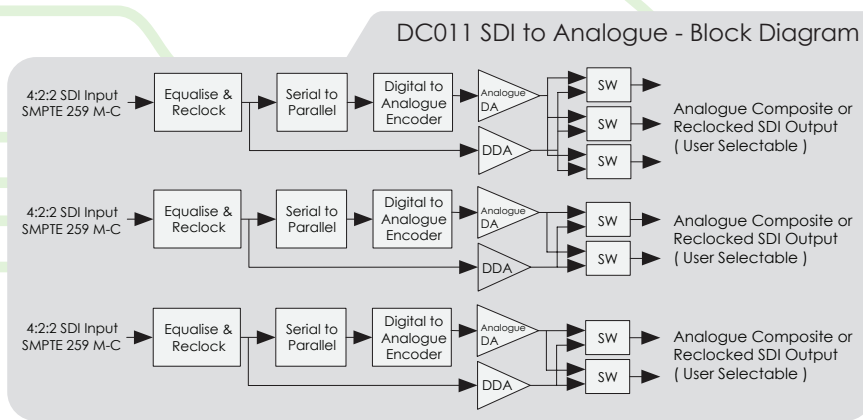


Triple Monitoring Converter SDI to Analogue Composite with Reclocked SDI

The DC016 is a high performance triple SDI to analogue composite encoder with relocked SDI card for use in the openGear™ frame. The end user can select analogue or digital output configuration as needed for a given application. The DC016 has three SDI encoders. There are three outputs on the A

converter, two on the B and two on the C. Each output is user selectable to be either analogue or digital. Analogue output gain control for composite is adjustable from the card edge as well as configuration switches for each of the three converters.



Features and specifications subject to change without notice

Digital to Analogue Converters Features

- Three conversions on one card (SDI SMPTE 259M-C)
- Remote monitoring via PC (Including power and temperature)
- User selectable analogue composite or SDI outputs
- 8-bit data path, 10-bit DAC
- Automatic configuration NTSC/PAL
- colour encoding user selectable to B&W
- Input signal presence indicator
- Built-in colour bar test generator (analogue outputs only)
- Video gain control accessible on card edge
- Data-lock indicator
- VBI blanking on/off
- Five year warranty

Specifications

Input

(3) 270-Mbit SMPTE 259M-C

Output

7 outputs: 3 on A, 2 on B, 2 on C user selectable.

Digital output

Reclocking – Up to 2 on A, 2 on B, 2 on C converter (User switchable with composite Analogue)

Analogue Output

Up to 2 on A, 2 on B, 2 on C converter user selectable

Power

Positive rail 6.5 watts; negative rail 0.5 watts

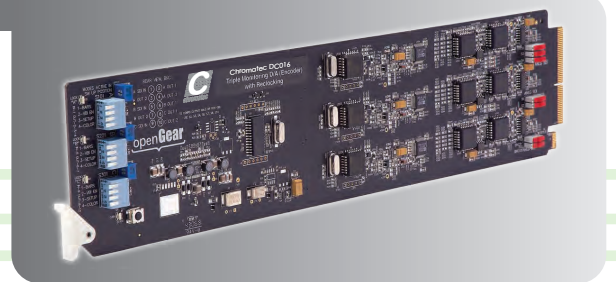
Indicators

Three data lock indicators (one per converter)

Size

12.9" x 3" (33mm x 7.5mm)

For use with openGear™ frames



RM-DC016-A Rear Con.

A SDI In	1	2	A Analogue or SDI Out
A Analogue or SDI Out	3	4	A Analogue or SDI Out
B SDI In	5	6	B Analogue or SDI Out
B Analogue or SDI Out	7	8	C Analogue or SDI Out
C SDI In	9	10	C Analogue or SDI Out

Rear Connections - BNC I/O



MICHAEL STEVENS & PARTNERS LTD

INVICTA WORKS ELLIOTT ROAD, BROMLEY, KENT, BR2 9NT UK

TEL: +44 (0)20 8460 7299 Fax: +44 (0)20 8460 0499

E-MAIL: SALES@MICHAEL-STEVENS.COM WEB: WWW.CHROMATEC.COM WEB: WWW.MICHAEL-STEVENS.COM