

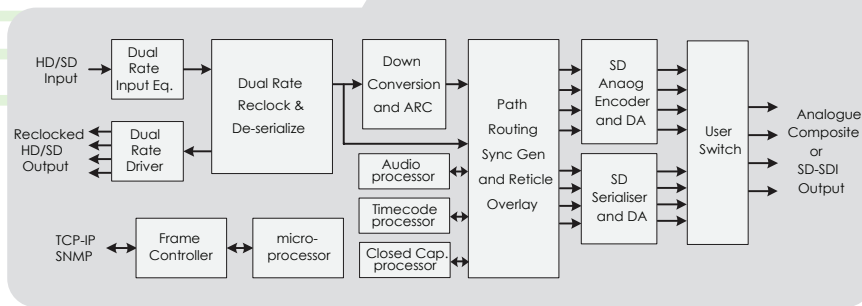
HD/SD Downconverter with SD Pass Through And Analogue Outputs

The FC821 is an extremely versatile openGear™ card based HD/SD tool. The FC821 accepts dual rate HD/SD SMPTE-292/259M-C digital inputs and downconverts HD signals with full re-aspect controls and passes SD signals with re-aspect, if needed. Outputs are four user selectable SD-SDI or SD-analogue composite outputs.

The FC821 can rate convert 23.98 frame video to 59.94 fields, move progressive to interlace and has extensive user programmable reticule overlays. The data path is 10-bit with 12-bit analogue encoding.

User setups are by card edge TCP-IP / SNMP remote interface.

FC821 SDI to Analogue - Block Diagram



Features and specifications subject to change without notice

Format Converters Features

- High quality 10-bit down conversion
- Four relocked HD/SD input copies
- Four user selectable SD-SDI or analogue composite outputs
- Auto standard detect and configuration SMPTE 292/259M-C
- Full aspect ratio conversion with pan
- Four user programmable overlays with 4x3 or 16x9 safe area reticules
- 3:2 frame rate conversion 23.98 (i, p, sF) to 59.94i
- Output field alignment for downconverted 720p signals
- Analogue SD output over-sampled to 216 MHz
- Full 10-bit video path and 12-bit analogue encoding
- User proc. controls
- Compatible with openGear™ frames
- User presets controllable from card edge
- TCP-IP SNMP remote control
- Embedded audio option
- Timecode processing option
- Closed captioning option
- Five year warranty

Specifications

Digital Input

HD/SD SDI SMPTE-292/259M-C
1080: 59.94/50/30/29.97/23.98 (i,p, sF)
720: p59.94/50/29.97/25 and p23.98 (23.98- encoded in 59.94)
525 and 625 Standard Def

Output

4 – HD/SD relocked input copies
4 – SD-SDI – Analogue composite user selectable

Aspect Ratio

1/16 – 8x in all modes (independent H/V)

Pan

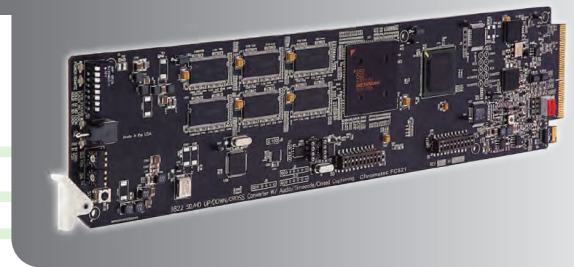
Full pan in all modes, including off screen (H/V)

Gain Control

User adjustable ± 100 mV

Reticules

User programmable with 4x3 and 16x9 defaults, colour user selectable black or white
For use in openGear™ frames



RM-FC821-A Rear Con.

HD/SD SDI Input	1	2	Reserved
Input Relocked Copy 1	3	4	Input Relocked Copy 2
Input Relocked Copy 3	5	6	Input Relocked Copy 4
SD-SDI/Analogue CVBS 1	7	8	SD-SDI/Analogue CVBS 2
SD-SDI/Analogue CVBS 1	9	10	SD-SDI/Analogue CVBS 4

Rear Connections - BNC I/O



MICHAEL STEVENS & PARTNERS LTD

INVICTA WORKS ELLIOTT ROAD, BROMLEY, KENT, BR2 9NT UK

TEL: +44 (0)20 8460 7299 Fax: +44 (0)20 8460 0499

E-MAIL: SALES@MICHAEL-STEVENS.COM WEB: WWW.CHROMATEC.COM WEB: WWW.MICHAEL-STEVENS.COM