

HD/SD-SDI Timecode Inserter

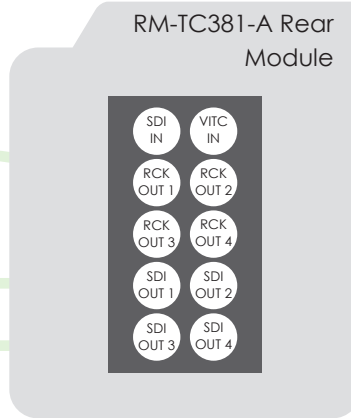
The TC381 provides embedded audio routing and controls. It also includes full video proc control with user memory and timecode insertion.

Ordering Information

TC381 HD/SD-SDI Timecode Inserter

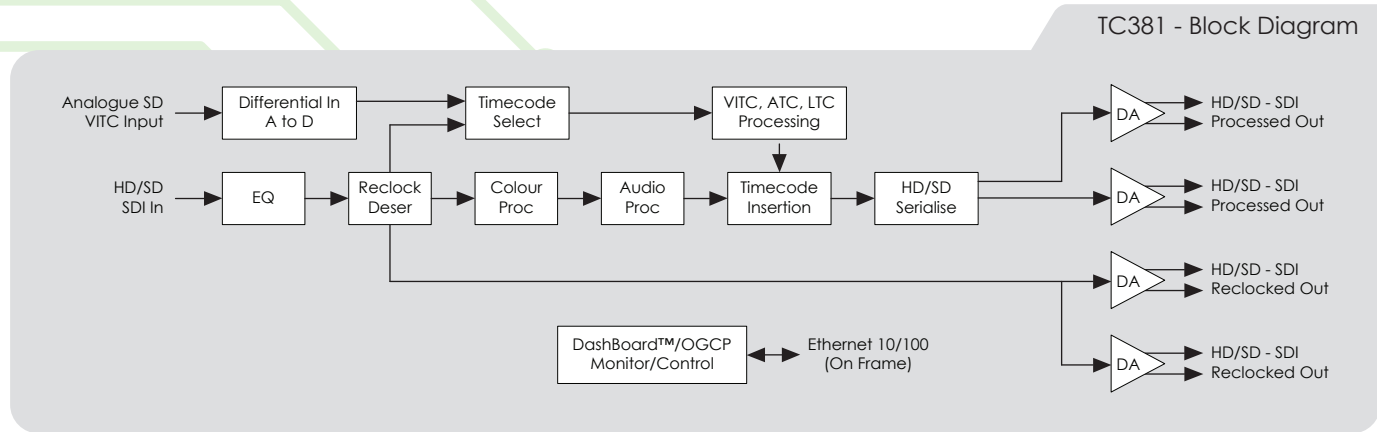
RM-TC381-A Rear I/O Module (Single Slot)

HD/SD-SDI Input, 4 HD/SD-SDI Reclocked Outputs, 4 HD/SD-SDI Processed Outputs



Features

- HD/SD-SDI inputs
- 16 channel embedded audio channel mapping, phase inversion, and level control
- Video proc controls
- AFD code insertion and AFD ARC control
- VITC-to-HD-SDI timecode insertion
- 16 user presets
- Remote control/monitoring via DashBoard™ software
- Five year warranty



Features and specifications subject to change without notice

Specifications

Electrical

Power: 11 watts

Analogue Video Input

HD Standard: YPbPr or RGB SMPTE

SD Standard: Composite, Y/C or Component (YPbPr BetaCam™, MII™ or SMPTE/N10)

Impedance: 75 Ω

Processing Delay

Total Delay: 3.2 μs

Timecode Processing

Formats

Inserted: Analogue VITC, SDI VITC, SDI ATC, LTC, SDI ATC VITC

HD/SD-SDI Output

Number of outputs: 2

Standard: SMPTE 292 and 259M

Signal Level: 800 mV nominal

Return Loss: >15 dB at 5 MHz -

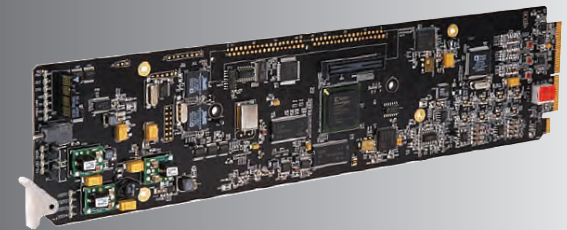
270 MHz >12 dB at 270 MHz - 1.485 GHz

Jitter: HD: < 0.15 UI

SD: < 0.10 UI

Embedded

Audio: 16-Ch SD/HD



MICHAEL STEVENS & PARTNERS LTD

INVICTA WORKS ELLIOTT ROAD, BROMLEY, KENT, BR2 9NT UK

TEL: +44 (0)20 8460 7299 Fax: +44 (0)20 8460 0499

E-MAIL: SALES@MICHAEL-STEVENSON.COM WEB: WWW.CHROMATEC.COM WEB: WWW.MICHAEL-STEVENSON.COM