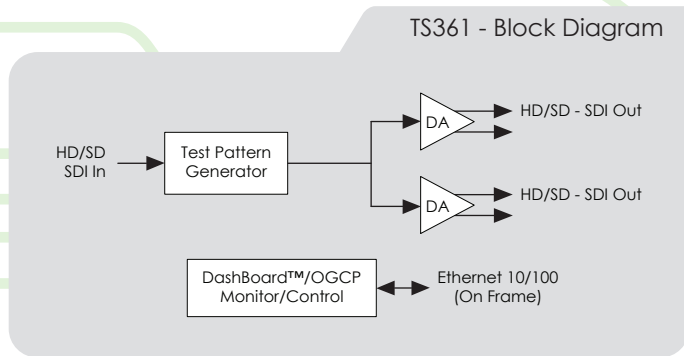


HD/SD-SDI Test Signal Generator with Text Overwrite

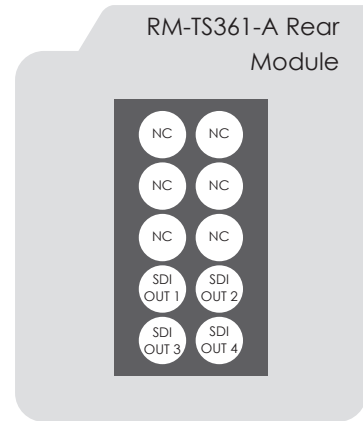
The TS361 is an HD/SD-SDI multi-format test signal generator, providing a cost-effective method of generating 1.485 Gbit test signals. The TS361 delivers a user-selectable test pattern in several SD and HD-SDI formats. The TS361 can overlay up to 20 characters of text onto the test pattern for channel ID. The SDI outputs can either be locked to a reference signal connected to the openGear™ frame, or run off an internal clock.



Features and specifications subject to change without notice

Features

- 75% colour Bars Test Pattern
- Up to 20 character text overlay
- Locks to external reference (bi-level, black burst, or tri-level)
- Controllable timing offset from reference
- Four tone generators with adjustable frequency and amplitude, available to all 16 embedded audio channels
- Remote control/monitoring via DashBoard™ software
- Five year warranty



Ordering Information

TS361 HD/SD-SDI Test Signal Generator with Text Overwrite

RM-TS361-A Rear I/O Module (Single Slot)
4 HD/SD-SDI Test Pattern Output BNCs

Specifications

Electrical

Power: 8 watts

Reference Video Input

Number of Inputs: 2 looping (openGear™ frame)

Standard: Tri-level sync (SMPTE 274) and Black Burst (NTSC and PAL)

Test Patterns

HD/SD: Black Flat Frame
75% colour Bars
Sweep Pattern

HD/SD-SDI Output

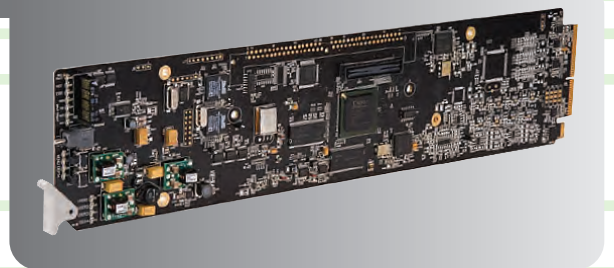
Number of outputs: 4 Reclocked, 4 Processed

Standard: SMPTE 292 and 259M

Signal Level: 800 mV nominal

Return Loss: >15 dB at 5 MHz - 270 MHz >12 dB at 270 MHz - 1.485 GHz

Jitter: HD: < 0.15 UI
SD: < 0.10 UI



MICHAEL STEVENS & PARTNERS LTD

INVICTA WORKS ELLIOTT ROAD, BROMLEY, KENT, BR2 9NT UK

TEL: +44 (0)20 8460 7299 Fax: +44 (0)20 8460 0499

E-MAIL: SALES@MICHAEL-STEVENSON.COM WEB: WWW.CHROMATEC.COM WEB: WWW.MICHAEL-STEVENSON.COM