

HD/SD-SDI Test Signal Generator with Text Overwrite, SDI Input Frame Capture/Store, and Fail Safe Mode

The TS362 is an HD/SD-SDI multi-format Test Signal Generator that provides 1.485 Gbit test signals. The TS362 outputs a user-selectable test pattern in several SD and HD-SDI formats.

The TS362 is installed in the HD/SD-SDI feed and passes the video signal as normal when not needed. In the event of video signal loss, the test signal generator function can be set to switch to a selected pattern manually, or set to provide a selected pattern.

The TS362 can overlay up to 20 characters of text onto the test pattern for channel ID. The SDI outputs can either be locked to a reference signal connected to the openGear™ frame, or run off an internal clock.

The TS362 can capture and store a frame such as a station ID logo from the HD/SD-SDI input and use this as a selectable test pattern.

Features

- 75% colour Bars Test Pattern
- Up to 20 character text overlay
- Locks to external reference (bi-level, black burst, or tri-level)
- Controllable timing offset from reference
- Four tone generators with adjustable frequency and amplitude, available to all 16 embedded audio channels
- Remote control/monitoring via DashBoard™ software
- Five year warranty

Specifications

Electrical

Power: 8 watts

HD/SD-SDI Input

Number of

Inputs: 1

Standard: SMPTE 292 and 259M

Return Loss: >15 dB at 5 MHz - 1.485 GHz

Reference Video Input

Number of

Inputs: 2 looping (openGear™ frame)

Standard: Tri-level sync (SMPTE 274) and Black Burst (NTSC and PAL)

Test Patterns

HD/SD: Black Flat Frame, 75% Colour Bars, Sweep Pattern, User Captured

HD/SD-SDI Output

Number of outputs: 4 Reclocked, 4 Processed

Standard: SMPTE 292 and 259M

Signal Level: 800 mV nominal

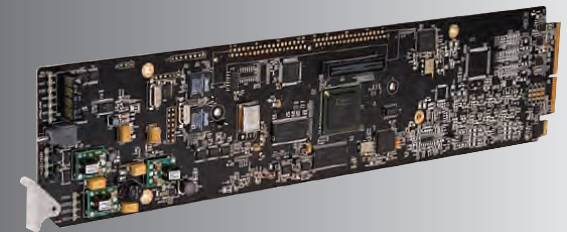
Return Loss: >15 dB at 5 MHz - 270 MHz >12 dB at 270 MHz - 1.485 GHz

Jitter: HD: < 0.15 UI

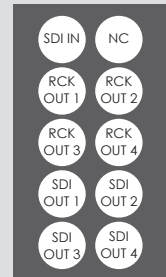
SD: < 0.10 UI

Embedded

Audio: 16-Ch SD/HD



RM-TS362-A Rear Module



MICHAEL STEVENS & PARTNERS LTD

INVICTA WORKS ELLIOTT ROAD, BROMLEY, KENT, BR2 9NT UK

TEL: +44 (0)20 8460 7299 FAX: +44 (0)20 8460 0499

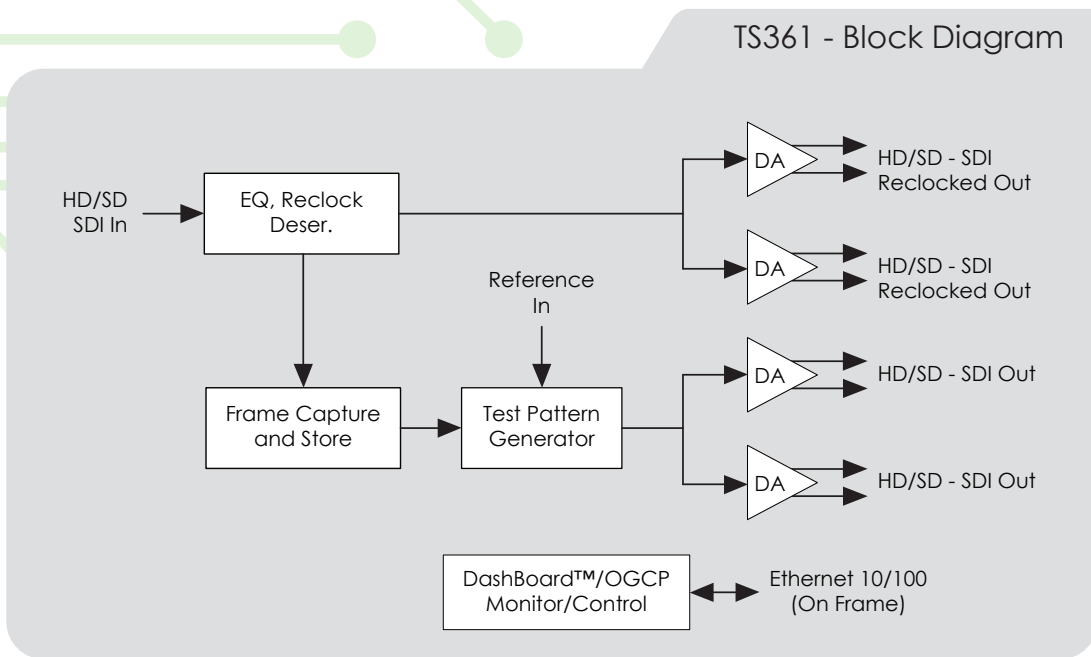
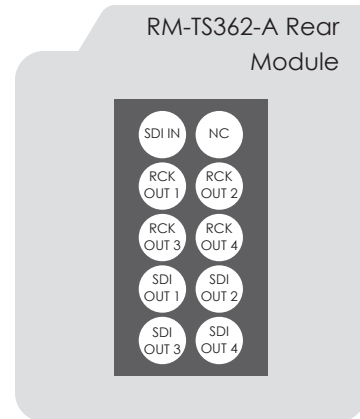
E-MAIL: SALES@MICHAEL-STEVENS.COM WEB: WWW.CHROMATEC.COM WEB: WWW.MICHAEL-STEVENS.COM



Ordering Information

TS362 HD/SD-SDI Test Signal Generator with Text Overwrite, SDI Input Frame Capture/Store, and Fail Safe Mode

RM-TS362-A Rear I/O Module (Single Slot) HD/SD-SDI Input, 4 SDI Reclocked Outputs, 4 SDI Outputs



Features and specifications subject to change without notice



MICHAEL STEVENS & PARTNERS LTD

INVICTA WORKS ELLIOTT ROAD, BROMLEY, KENT, BR2 9NT UK

TEL: +44 (0)20 8460 7299 Fax: +44 (0)20 8460 0499

E-MAIL: SALES@MICHAEL-STEVENSON.COM WEB: WWW.CHROMATEC.COM WEB: WWW.MICHAEL-STEVENSON.COM